



GENUINE PARTS

INSTALLATION INSTRUCTIONS

1. **DESCRIPTION:** In-mirror RearView Monitor

2. **APPLICATION:** 370Z Coupe (2010)

3. **PART NUMBER:** 999Q6 VX300

4. **KIT CONTENTS:**

Item	Qty	Description	Service Part Number
A	1	In-mirror RearView Monitor	999Q6 VX200
B	1	Camera	999Q6 VV030
C	1	Parts Kit	999Q6 VX600SP (Items D - P)
D	1	Harness	
E	1	Camera Bracket	
F	1	Wire Cover	
G	20	Wire Tie	
H	18	Foam Tape	
I	4	Butyl Gum	
J	2	Posi-Tap™	
K	2	Well Nut	
L	2	M3 x 6mm Phillip Screw	
M	2	M4 X 12mm Phillip Screw	
N	1	User Guide	
O	1	Manual, Installation Instruction Download	999V2 AW000
P	1	A-Pillar Clip	76988 JM00A

5. **PRE-INSTALLATION CAUTION / NOTES:**

WARNING

- Disconnect vehicle battery before installing RearView Camera Kit to prevent possible shock injury during installation.

CAUTION

- Dealer installation recommended. This installation instruction will reference the service manual.
- This is a universal installation kit so all parts may not be used.
- Cut the excess wire tie(s) as flush with the head as possible. Face head of cable tie away from sheet metal and other objects.
- Use caution when removing/re-installing interior components to avoid damage, scratches, or breaking of mounting clips.

HOMELINK® AND THE HOMELINK HOUSE® ARE REGISTERED TRADEMARKS OF GENTEX CORPORATION.

In-mirror RearView Monitor - 370Z Coupe

⚠ CAUTION

- Ensure the slack on the installed harness is removed before securing wire ties.
- The harness routing needs to be followed as described to avoid interferences.

6. TOOLS REQUIRED:

- | | | | |
|-----------------------------|-------------------------|----------------------|-----------------------|
| 1. Clean Rag | 5. 3mm Flat Screwdriver | 9. Torque Wrench | 13. Fish Wire |
| 2. Needle Nose Pliers | 6. Panel Removal Tool | 10. Drill | 14. Center Punch Tool |
| 3. T-20 Torx Head Driver | 7. 10mm Socket Wrench | 11. 5/16" Drill Bit | |
| 4. #1 Phillip's Screwdriver | 8. Side Cutters | 12. 15/32" Drill Bit | |

7. VEHICLE PREPARATION:

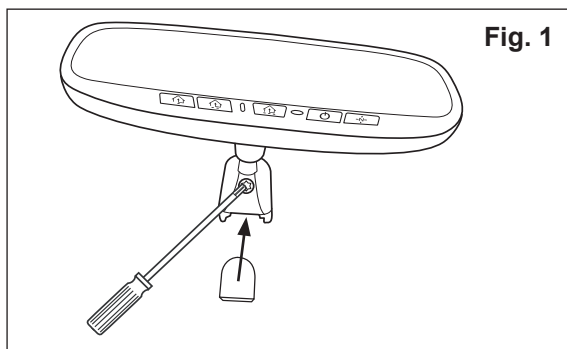
- 1) Apply parking brake.
- 2) Record the customer radio presets.

Presets	1	2	3	4	5	6	
A							
B							
C							

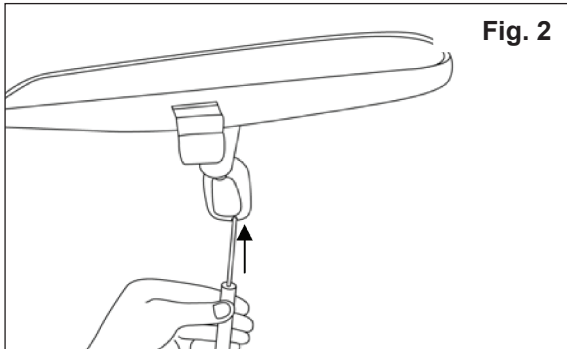
- 3) Make sure that the shift lever is engaged in the "P" position.
- 4) Turn the ignition switch OFF.

1) Removal of OE rearview mirror.

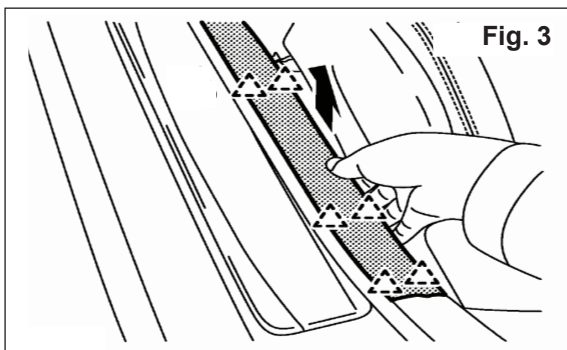
- a) For vehicle's having OE rearview mirror with connector attached to back of mirror, continue below, step 1b. For vehicle's containing OE rearview mirror without connector attached to back of mirror, proceed to step 1g on next page.
- b) Disconnect 10-pin connector from back of mirror. Harness will be tucked up into the headliner at a later step.
- c) Remove and discard wire harness cover, which is attached from mirror base to headliner.
- d) Using a T-20 Torx head driver, loosen the screw on the mirror mount. **(Fig. 1)**
- e) Slide the mirror base off of the button on the windshield. **(Fig. 1)**
- f) Skip to step 2 on next page.



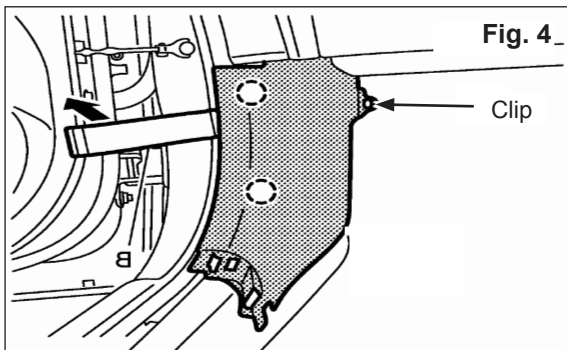
In-mirror RearView Monitor - 370Z Coupe



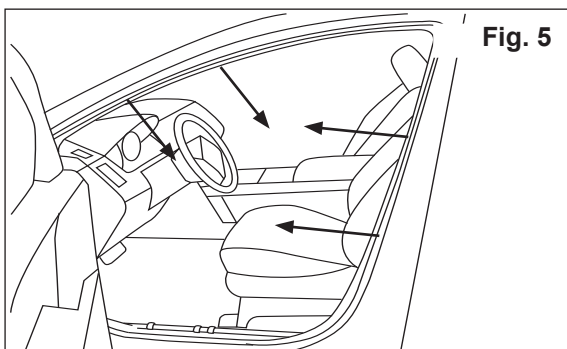
- g) Insert the flat end of a 4mm screwdriver into the opening at the bottom of the mirror mount. **(Fig. 2)**
- h) Slide the screwdriver upward into the center of the mirror mount until resistance is felt. Apply a small amount of additional upward force to lift a locking spring in the mount.
- i) While still applying upward pressure with the screwdriver, grasp the mirror bracket and lift the mirror up towards the headliner and off the mirror mounting bracket.



- 2) Remove driver side kicking plate.
 - a) Pull up kicking plate to disengage the pawls. **(Fig. 3)**
 - b) Remove kicking plate from body panel.



- 3) Remove driver side dash side finisher.
 - a) Remove clip. **(Fig. 4)**
 - b) Remove dash side finisher fixing clips with panel removal tool and then remove dash side finisher. **(Fig. 4)**



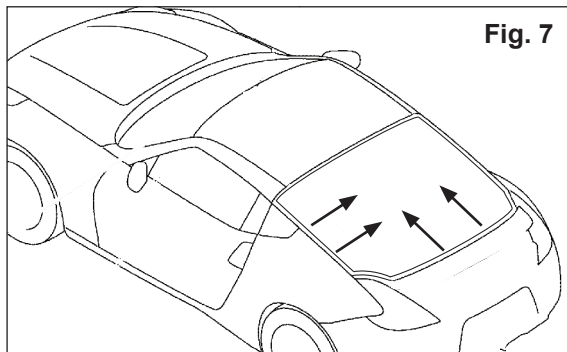
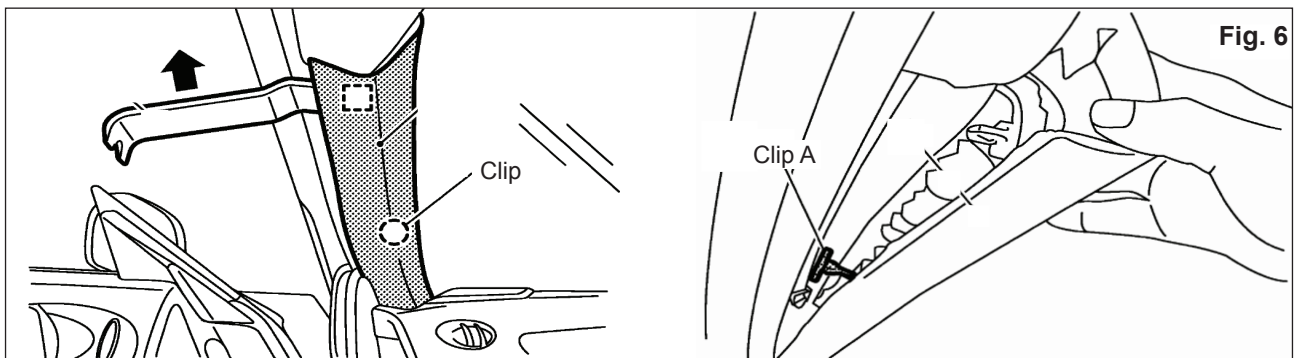
- 4) Using panel removal tool, loosen driver side weather strip and remove from top of A-pillar to scuff plate and from B-pillar. **(Fig. 5)**

In-mirror RearView Monitor - 370Z Coupe

CAUTION

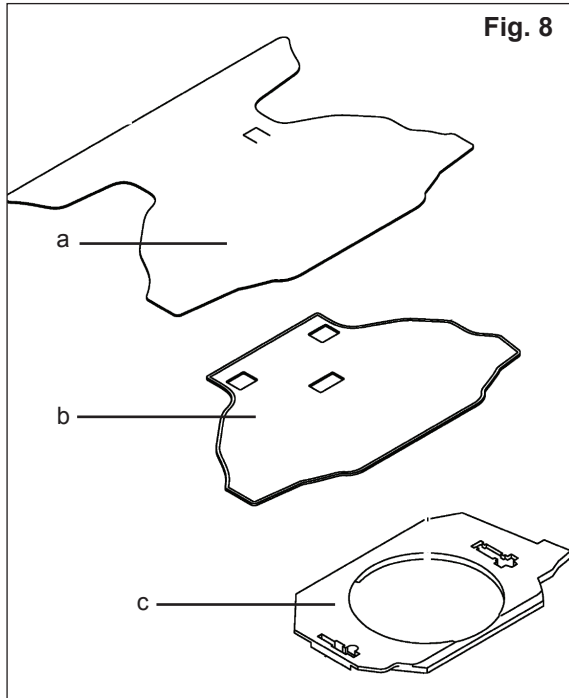
- Exercise caution when removing and installing LH front pillar finisher due to side airbag placement. Reference Figure 6 below for further detail.
- Do **NOT** re-use LH front pillar finisher clip. LH front pillar finisher clip (P/N 76988 JM00A) **MUST** be replaced during re-installation of finisher.

- 5) Disengage driver side front pillar garnish fixing clip and metal clip with panel removal tool, cut clip A with cutter knife and then remove front pillar garnish. (**Fig. 6**)



- 6) Partially remove trunk weather seal from rear plate and LH luggage side finisher. (**Fig. 7**)

In-mirror RearView Monitor - 370Z Coupe

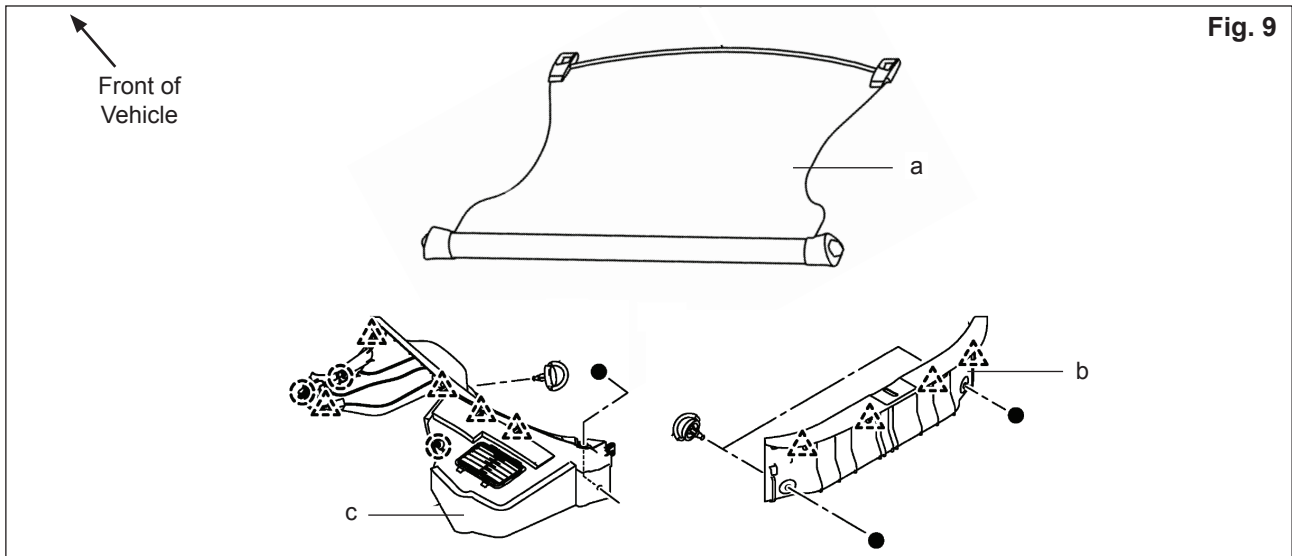


7) Remove the following trunk components. **(Fig. 8)**

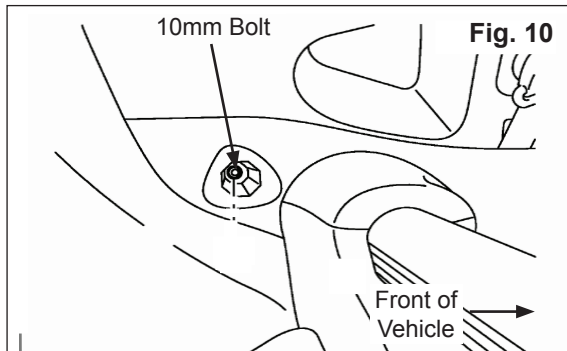
- a) Luggage floor carpet assembly.
- b) Spare tire cover.
- c) Luggage spacer.

8) Remove the following interior parts as shown in Fig. 9. (Refer to vehicle service manual)

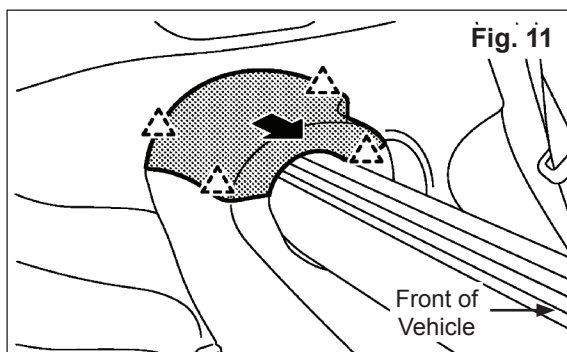
- a) Tonneau cover assembly (with tonneau cover).
- b) Luggage rear plate.
- c) Driver side luggage side finisher.



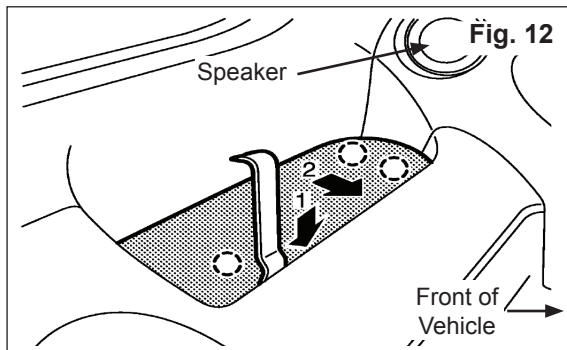
In-mirror RearView Monitor - 370Z Coupe



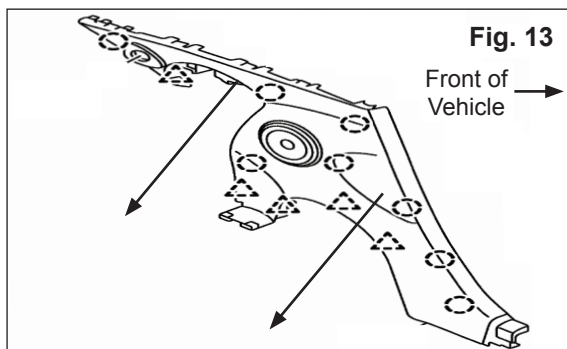
- d) Remove driver side finisher 10mm mounting bolt. **(Fig. 10)**



- e) Slide driver side rear parcel shelf side finisher outward toward passenger side. **(Fig. 11)**

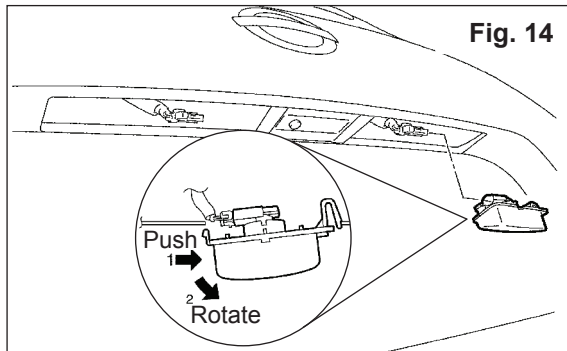


- f) Remove rear parcel shelf cover LH with panel removal tool as shown. **(Fig. 12)**



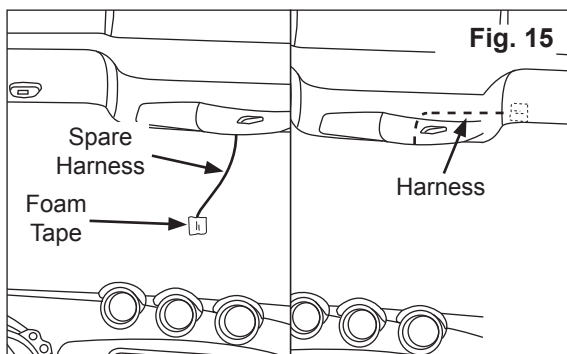
- g) Insert panel removal tool into the clearance between rear side finisher and body panel, disengage clips, pawls and disconnect rear speaker connector (if equipped). **(Fig. 13)**

In-mirror RearView Monitor - 370Z Coupe



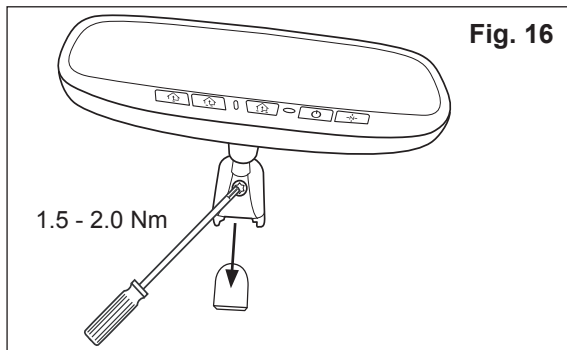
9) Remove passenger side license plate lamp in numerical order shown. **(Fig. 14)**

- a) Disconnect the license plate lamp connector.
- b) Remove license plate lamp.



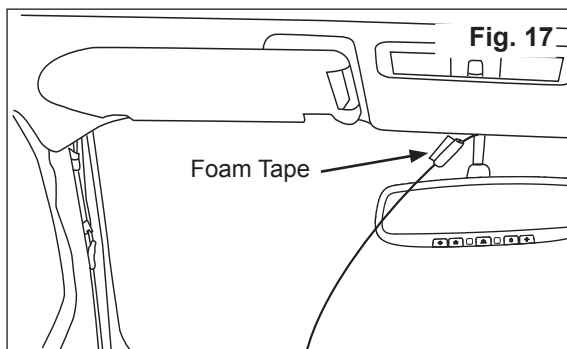
For vehicle's without spare 10-pin OE mirror connector in overhead, proceed to step 10.

- c) For vehicle's containing the spare 10-pin harness used on the factory mirror, wrap 1 piece of foam tape around connector. **(Fig. 15)**
- d) Using panel removal tool, tuck harness up into the headliner toward passenger side. Ensure harness is not interfering with headliner. **(Fig. 15)**



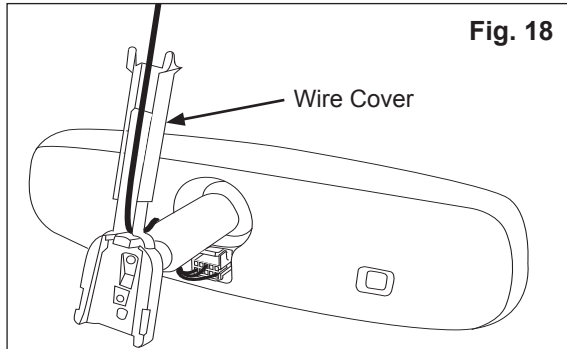
10) Install In-mirror RearView Monitor mirror.

- a) Plug the harness connector into the back of the In-mirror RearView Monitor mirror.
- b) Slide the In-mirror RearView Monitor mirror base over the button on the windshield. **(Fig. 16)**
- c) Using a T-20 Torx head driver, tighten the screw on the mirror mount 1.5 - 2.0 Nm (1.3 ft - lbs). **(Fig. 16)**

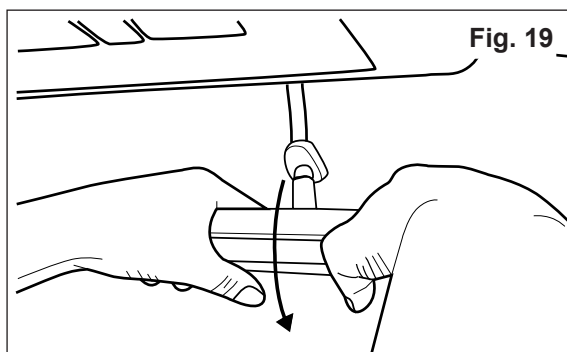


- d) Wrap 1 piece of foam tape around harness and using panel removal tool, tuck between headliner and roof above EC mirror. **(Fig. 17)**

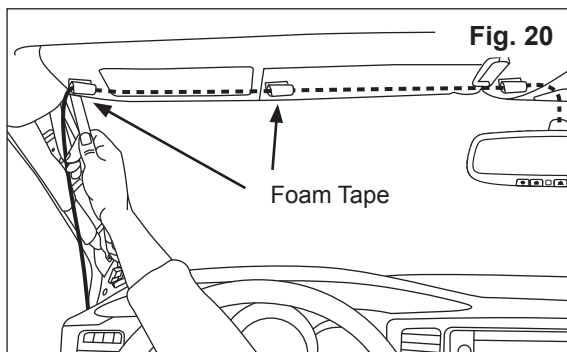
In-mirror RearView Monitor - 370Z Coupe



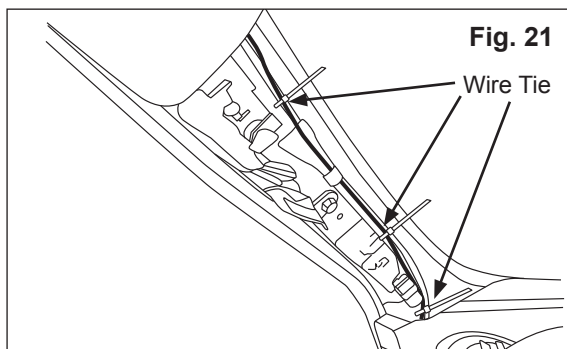
- e) If a wire cover was removed from the OE mirror, discard OE wire cover and grab new wire cover from kit contents.
- f) Route the harness into the groove of the wire cover and attach to the mirror mount. **(Fig. 18)**
- g) Slide the forks on top of the wire cover, into the headliner. **(Fig. 18)**



- h) Grasp mirror and rotate downward. Check to ensure wire cover sits flush against windshield. **(Fig. 19)**
- i) If there is a gap between the wire cover and windshield, ensure there is enough harness slack from the mirror to the headliner. Adjust if necessary.

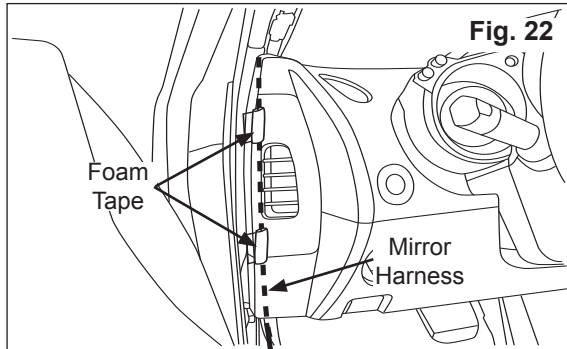


- j) Wrap a piece of foam tape around harness at center of sun visor and where the headliner bends towards driver-side door. **(Fig. 20)**
- k) Using panel removal tool, tuck the wire harness between the headliner and roof. **(Fig. 20)**

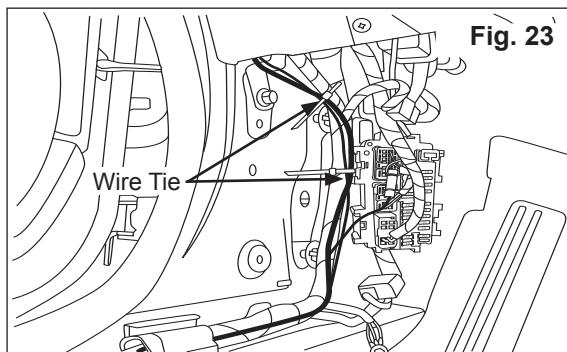


- l) Route harness down driver-side A-pillar and secure to existing vehicle harness with 3 wire ties. **(Fig. 21)**

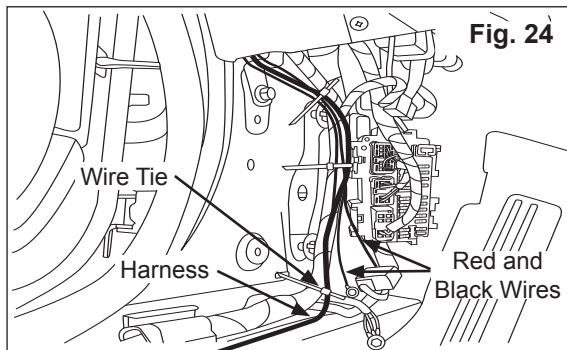
In-mirror RearView Monitor - 370Z Coupe



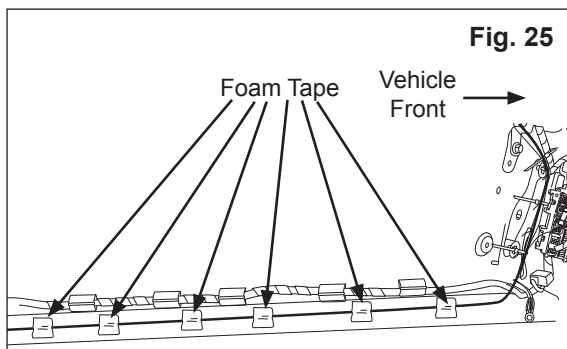
- m) Wrap 2 pieces of foam tape around mirror harness (including red and black wires) and tuck between vehicle body and center dash. **(Fig. 22)**



- n) Secure all mirror harness wires in footwell area to existing vehicle harness with 2 wire ties. **(Fig. 23)**



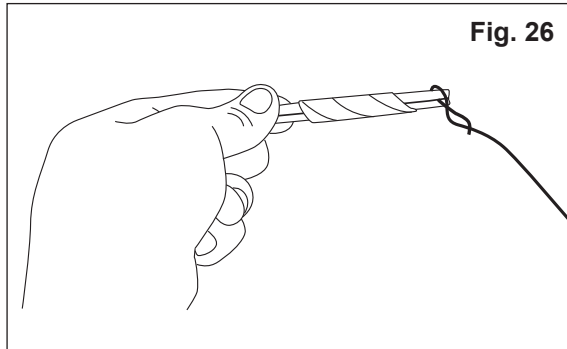
- o) Separate **Red** and **Black** wires from mirror harness. Red and black wires will be used at a later step in the installation. **(Fig. 24)**
- p) Secure mirror harness (**without Red and Black** wires) to existing vehicle harness with 1 wire tie. **(Fig. 24)**



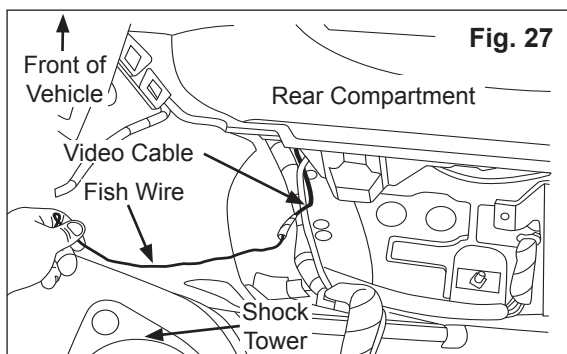
11) Route harness to rear gate.

- a) Secure harness to the inside of the vehicle body with 6 pieces of foam tape, below existing vehicle harness in scuff plate area, from A-pillar to B-pillar. **(Fig. 25)**

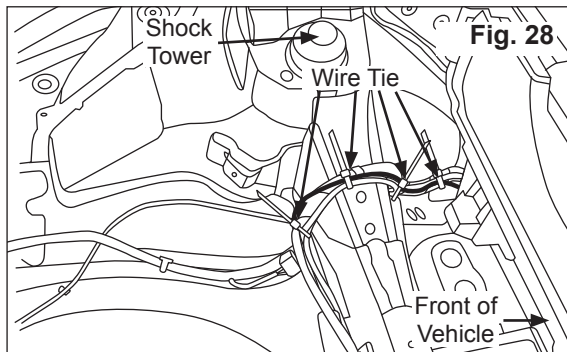
In-mirror RearView Monitor - 370Z Coupe



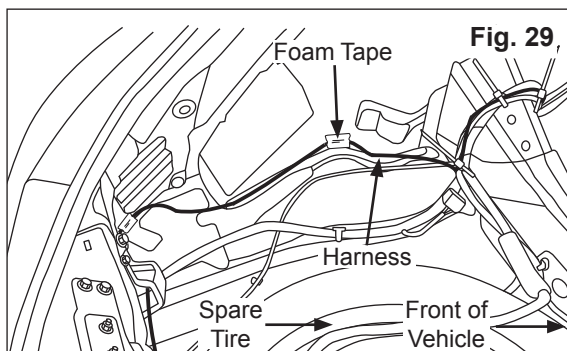
- b) Attach fish wire (or equivalent) to harness end. **(Fig. 26)**



- c) Route fish wire from driver side of passenger compartment into trunk compartment, following existing vehicle harness. **(Fig. 27)**



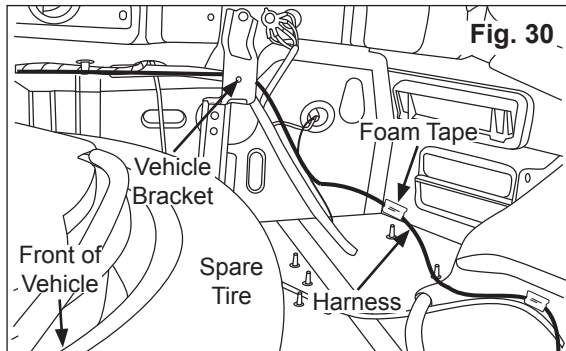
- d) Secure harness to existing vehicle harness in trunk compartment with 4 wire ties. **(Fig. 28)**



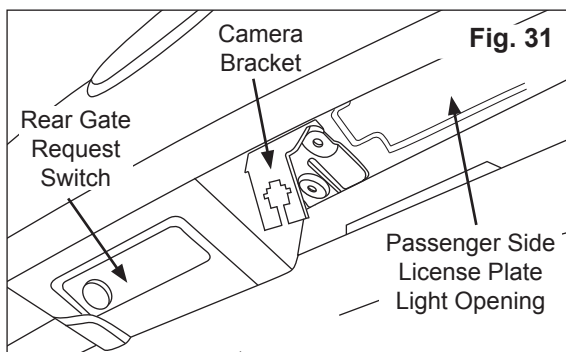
The next two steps are shown with the driver side luggage side box foam assembly removed to better depict the harness routing. The driver side luggage side box foam assembly does not need to be removed to route the harness.

- e) Route harness around driver side luggage side box foam assembly, securing to vehicle body with 1 piece of foam tape in location shown. **(Fig. 29)**

In-mirror RearView Monitor - 370Z Coupe

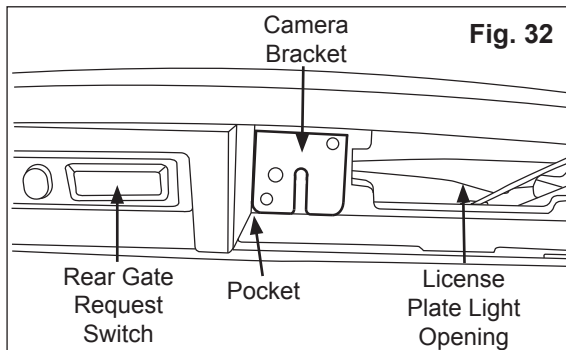


- f) Continue routing harness around driver side luggage side box foam assembly, securing to vehicle body with 1 piece of foam tape in location shown. **(Fig. 30)**
- g) Continue routing harness toward passenger side, following existing vehicle harness. Ensure harness is routed behind vehicle bracket, following existing vehicle harness. **(Fig. 30)**

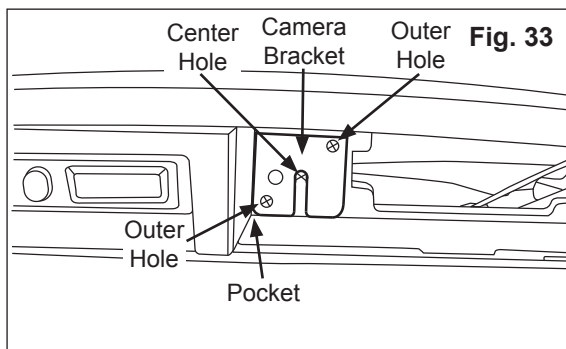


12) Establish location to attach camera bracket to vehicle body.

- a) Have a center punch tool readily available.
- b) Ensure correct orientation of camera is established as per illustration. **(Fig. 31)**
- c) Place camera bracket onto rear of vehicle, near passenger side license plate light opening and rear gate request switch. **(Fig. 31)**

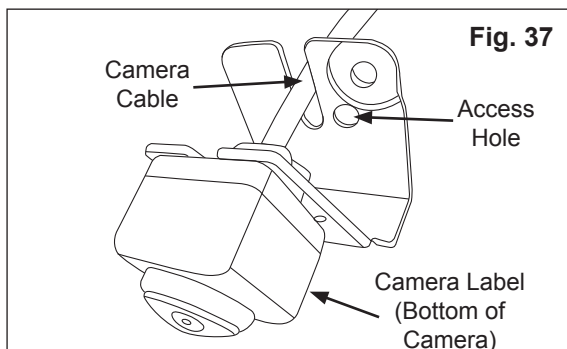
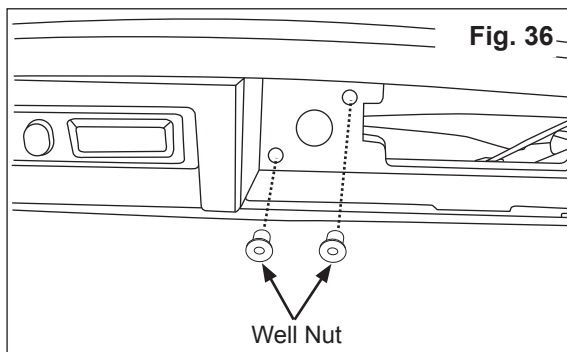
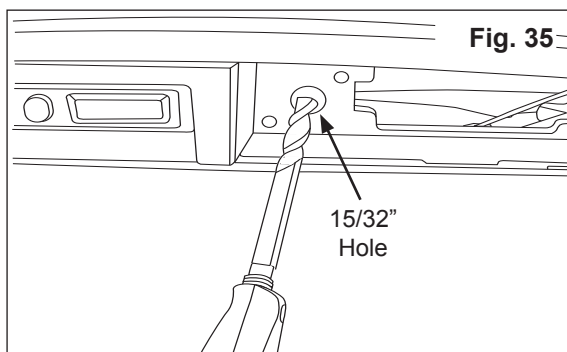
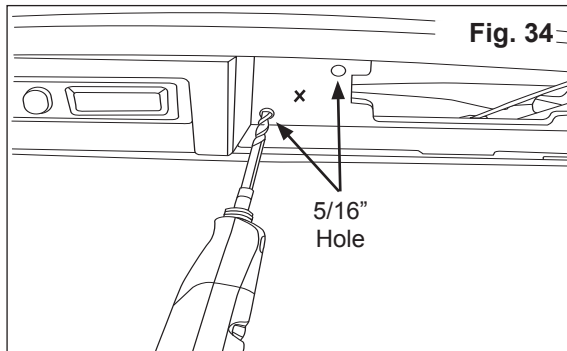


- d) Ensure camera bracket is pushed inward and toward the driver side of the trim to ensure the bracket is flush against "pocket" (a portion of the bracket has been removed from the illustration to better depict the necessary information). **(Fig. 32)**



- e) While camera bracket is still positioned flush against the "pocket", use a center punch tool to mark the two outer holes. **(Fig. 33)**
- f) Using center punch tool, mark the center hole just below the curvature of the opening. **(Fig. 33)**

In-mirror RearView Monitor - 370Z Coupe



13) Drill out camera mounting holes.

- a) Remove camera bracket from vehicle body.
- b) Protect rear of vehicle body with tape or shop towel before proceeding to next step.
- c) Using a drill and a 5/16" drill bit, drill out the two outer locating holes. **(Fig. 34)**

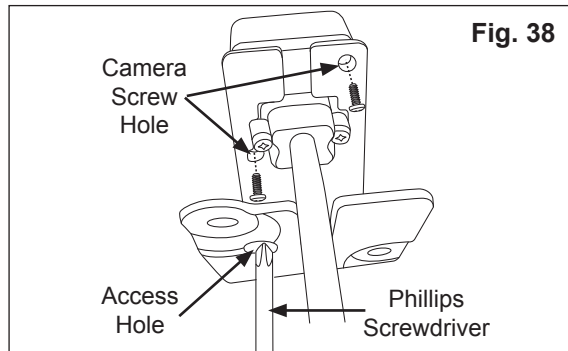
d) Using a drill and a 15/32" drill bit, drill out the center locating hole. **(Fig. 35)**

e) Insert a well nut into the two outer holes until the head of the nut is pressed up against the plastic trim. **(Fig. 36)**

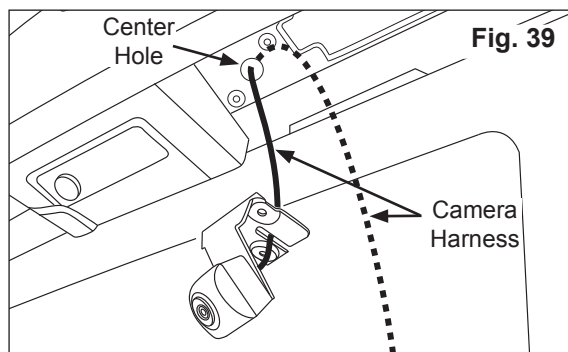
14) Attach camera to camera bracket.

- a) Orient camera and camera bracket as shown. Note locations of access hole, camera label and camera cable. **(Fig. 37)**

In-mirror RearView Monitor - 370Z Coupe

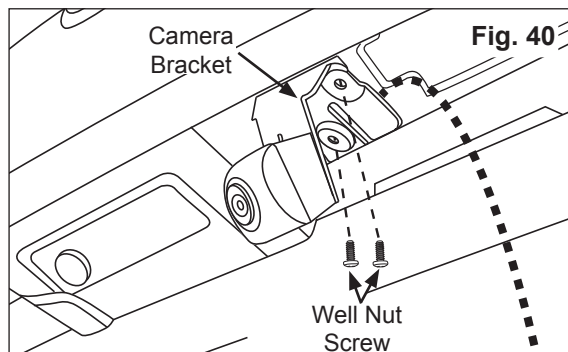


- b) Attach camera onto camera bracket and secure using (2) M3 x 6mm Phillip's screws (smaller screws) as shown. Note access hole in order to secure one of the camera screws. **(Fig. 38)**

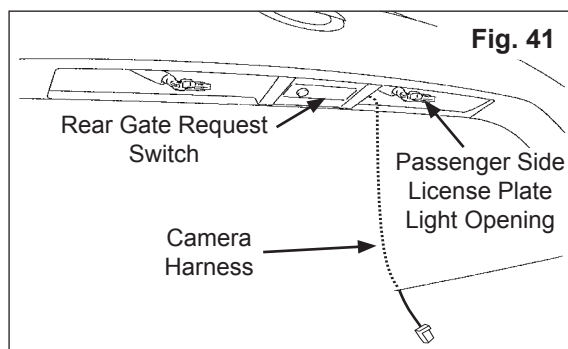


- 15) Attach camera bracket to vehicle body.

- a) Insert camera harness through center hole ensuring harness is routed downward toward the bumper. **(Fig. 39)**
- b) Ensure correct orientation of camera and camera bracket are identified and place bracket onto vehicle body. **(Fig. 39)**

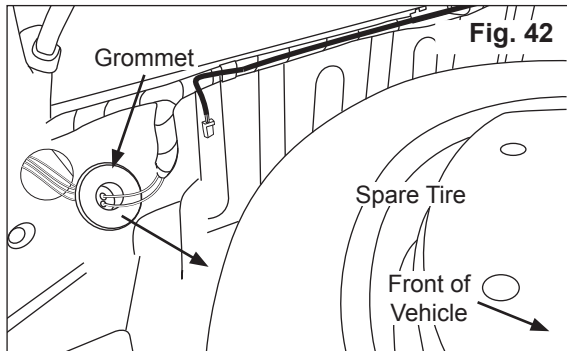


- c) Ensure camera bracket is flush against "pocket" (refer to **figure 32** for reference).
- d) Insert (2) M4-0.7 X 12MM well nut screws (larger screws) into locating holes and loosely secure using a Phillips screwdriver in a uniform manner. If a uniform manner is not followed when loosely securing screws, difficulty could arise when trying to install screws. **(Fig. 40)**
- e) Now securely tighten screws using Phillips screwdriver.



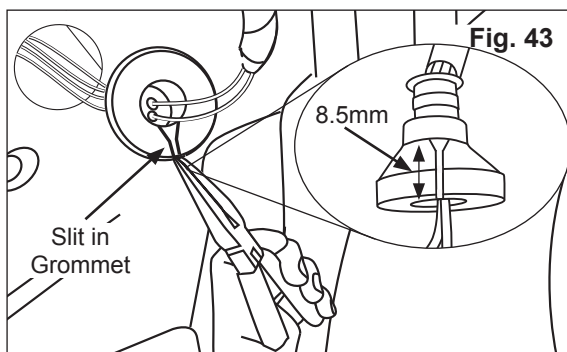
- f) Route camera harness toward bottom of vehicle bumper area. **(Fig. 41)**

In-mirror RearView Monitor - 370Z Coupe



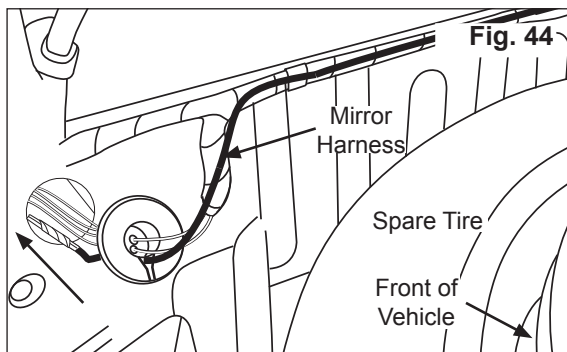
16) Locate vehicle grommet at rear trunk compartment on passenger side.

- a) Pull grommet outward, disengaging from vehicle body. **(Fig. 42)**

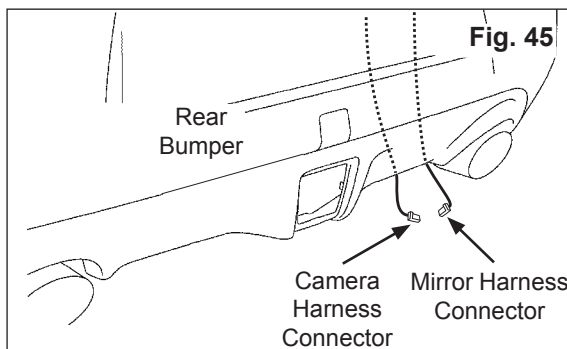


17) Cut rear grommet to allow for routing of camera harness.

- a) Using side cutters, cut a slit in the grommet approximately 8.5 mm in length on the bottom side. Once complete, cut a small triangular portion (approximately 4.5 mm in diameter) out of the grommet to allow for the camera harness. **(Fig. 43)**



- b) Route mirror harness through passenger side grommet and to the bottom of the vehicle near bumper area. **(Fig. 44)**

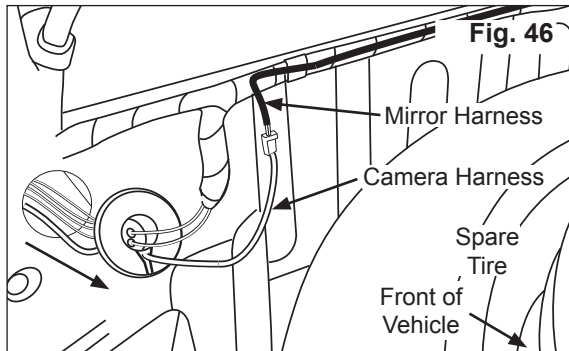


- c) Locate both the camera connector and mirror harness connector. **(Fig. 45)**

d) Remove black electrical tape and tubing from mirror harness end, exposing connector, in order to connect harness to camera harness.

- e) Route camera harness connector to mirror harness connector and connect. **(Fig. 45)**

In-mirror RearView Monitor - 370Z Coupe



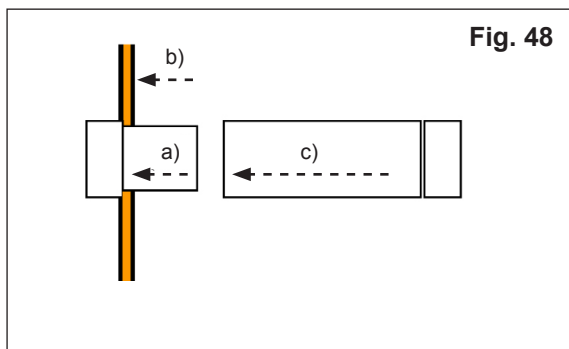
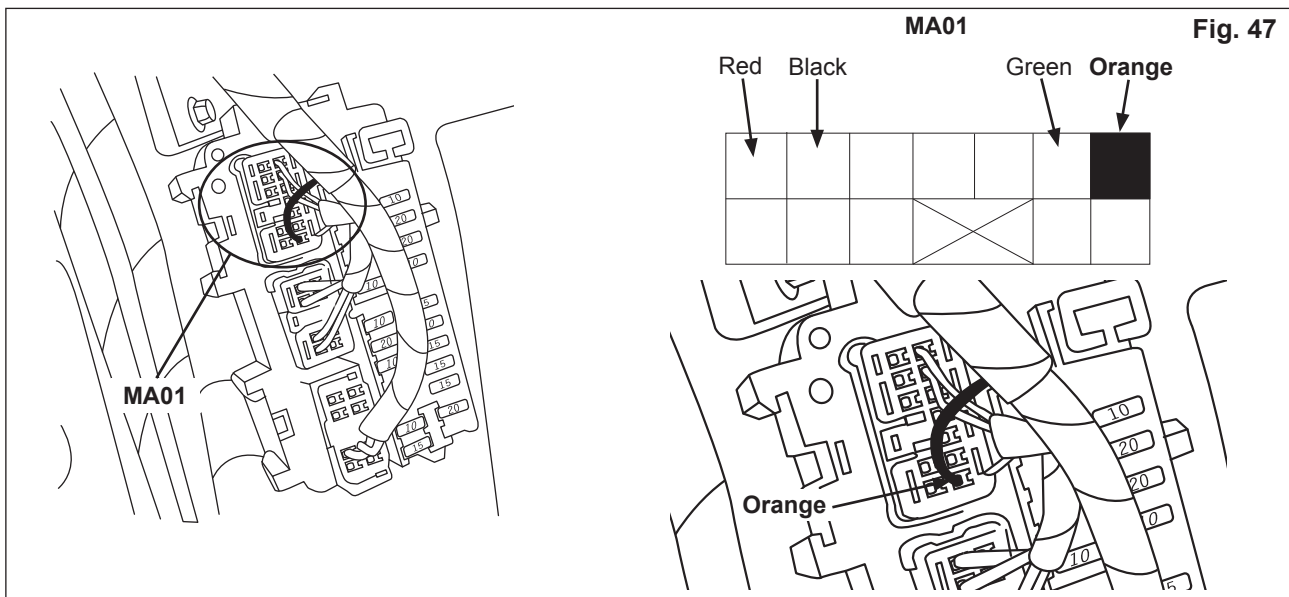
- f) Pull mirror harness, with camera harness, through passenger side grommet and into vehicle trunk compartment. **(Fig. 46)**
- g) Ensure excess slack of camera harness is pulled into the vehicle compartment.

18) Open engine hood.

- a) Disconnect negative battery terminal.

19) Secure gray end of the wire tap to larger **Orange Wire** in fuse panel area in driver side kick panel area. **(Fig. 47)**

- a) See steps 20 - 24 for wire tap installation instructions.
- b) Red mirror harness wire will be used as the accessory wire.



20) Tap vehicle wire. **(Fig. 48)**

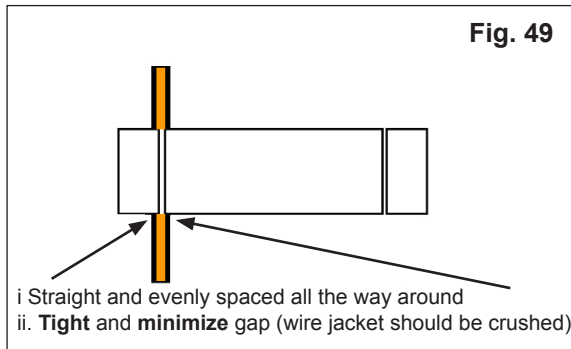
- a) Remove cap (slot side) from tap body.
- b) Slide the cap around vehicle wire.
- c) Tighten the tap **TIGHT** with finger pressure.

NOTE:

Do not re-use the tap for subsequent re-installation.

In-mirror RearView Monitor - 370Z Coupe

Fig. 49

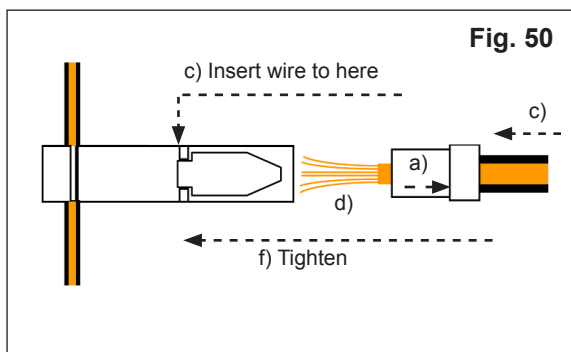


21) Inspect the tap to ensure correct installation. **(Fig. 49)**

NOTE:

Avoid putting pressure on the vehicle wire and tap for the rest of the installation.

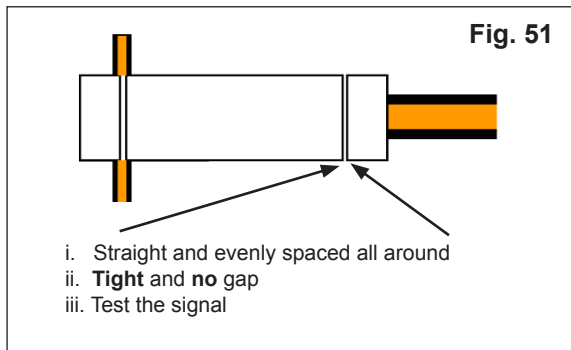
Fig. 50



22) Tap accessory wire. **(Fig. 50)**

- a) Remove tap (non-pierce) side from tap.
- b) Remove the protective stub.
- c) Insert wire through the non-pierce side opening.
- d) Spread the individual strands into fan shape.
- e) Insert wire into the tap body and ensure that it is all the way in.
- f) Tighten the tap **TIGHT** with finger pressure.

Fig. 51



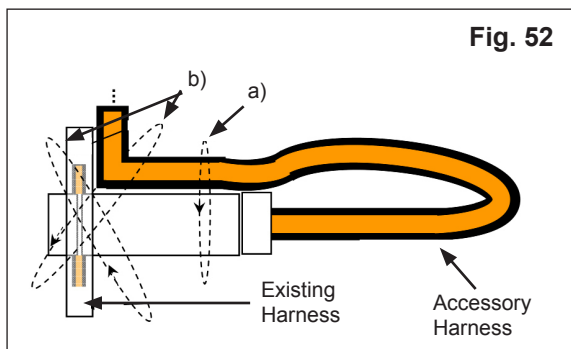
23) Confirm the tapped accessory wire. **(Fig. 51)**

- a) Inspect the tap to ensure correct installation.
- b) Test the signal to ensure that it is working properly.

NOTE:

Avoid putting pressure on the vehicle wire, tap, and accessory wire for the rest of the installation.

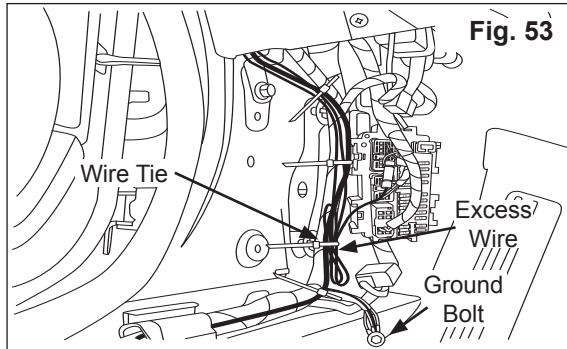
Fig. 52



24) Secure the tap. **(Fig. 52)**

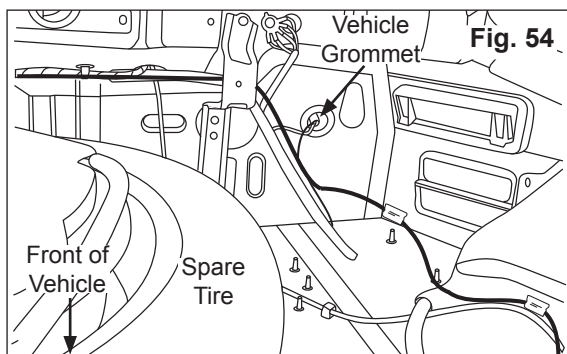
- a) Secure the tapped wire on the non-pierce side to the body of the posi-tap with electrical tape (2 revolutions).
- b) Secure the body to harness where vehicle wire is being tapped with electrical tape (2 revolutions).

In-mirror RearView Monitor - 370Z Coupe



25) Locate the 10mm ground bolt in driver side cowl area (behind carpet) and remove. **(Fig. 53)**

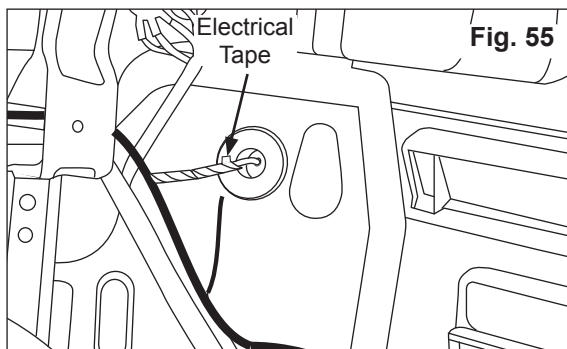
- Install ring terminal from Black wire of mirror harness over ground bolt and reinstall. **(Fig. 53)**
- Ensure ground bolt is tightened to 5.9 - 8.0 Nm.
- Bundle excess Red and Black harness wires and secure, along with mirror harness, to existing vehicle harness with 1 wire tie. **(Fig. 53)**



26) Locate vehicle grommet at rear in trunk compartment on driver side. **(Fig. 54)**

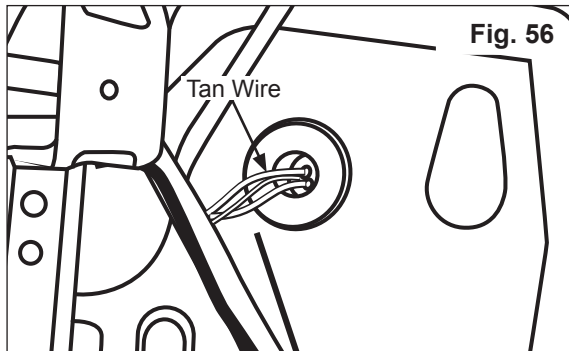
CAUTION

- Do not use sharp objects or objects that can damage electrical wires on next step. Plastic panel tool is acceptable.



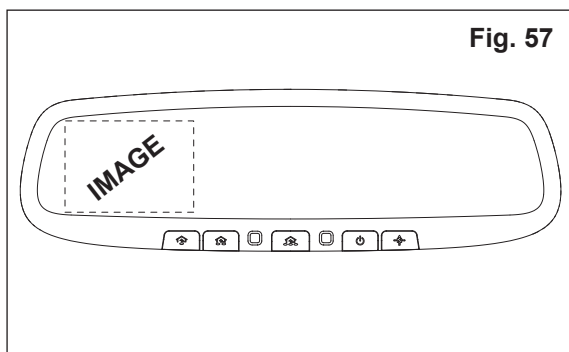
- If present, carefully remove electrical tape from existing vehicle harness to expose electrical wires. **(Fig. 55)**

In-mirror RearView Monitor - 370Z Coupe



27) Secure Green harness wire to existing vehicle reverse circuit.

- Locate **Tan Wire** in existing wire bundle at driver side rear trunk compartment. **(Fig. 56)**
- See steps 20 - 24, pages 15 - 16 for wire tap installation instructions.
- Green mirror harness wire will be used as the accessory wire.

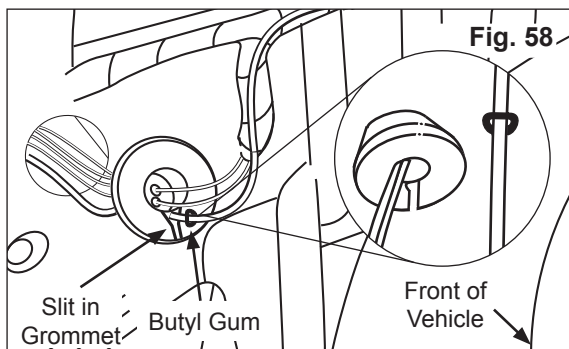


28) Verify a clear image is displayed on the monitor.

- Reconnect negative battery cable.
- Turn the ignition switch to ON.
- With your foot on the brake pedal, move the gear selector lever into reverse.
- A clear image should display in the left hand side of the mirror. **(Fig. 57)**
- Move the gear selector lever back into park. The image should now disappear.
- Turn the ignition switch to OFF.

CAUTION

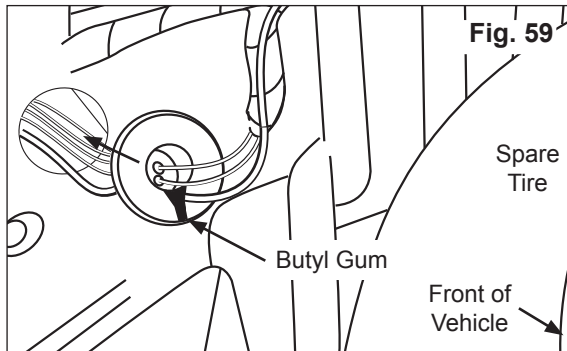
- Apply butyl gum to prevent potential leaks.



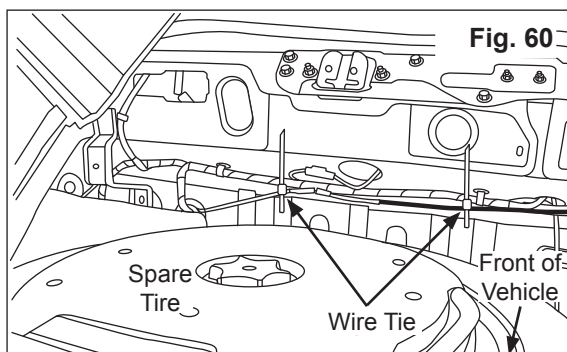
29) Secure camera harness.

- Wrap a piece of butyl gum around camera harness at the point where the harness lines up to the passenger rear vehicle grommet. **(Fig. 58)**

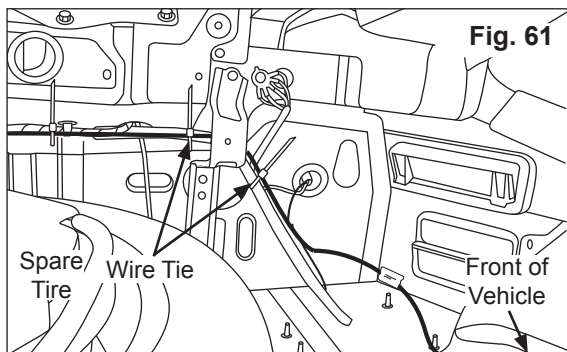
In-mirror RearView Monitor - 370Z Coupe



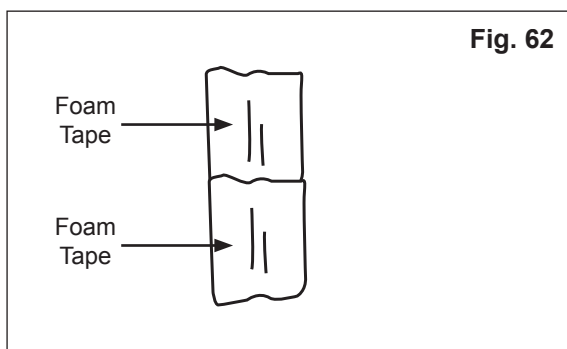
- b) Re-install vehicle grommet to body, ensuring the slit in the grommet is facing downward. **(Fig. 59)**
- c) To ensure water integrity, confirm that the grommet is installed properly during re-installation.



- d) Secure harness to existing vehicle harness in trunk compartment area with 2 wire ties. **(Fig. 60)**

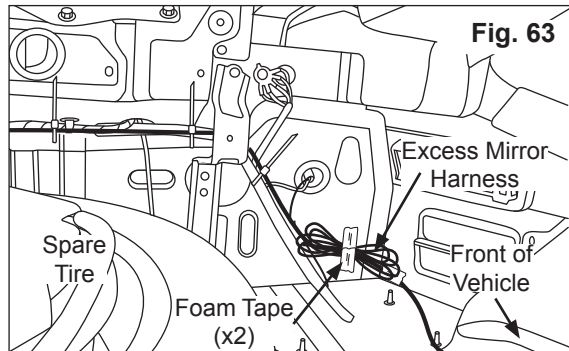


- e) Secure harness to existing vehicle harness in trunk compartment area with 2 wire ties. **(Fig. 61)**



- f) Remove 2 pieces of foam tape from kit contents and attach to one another to create 1 large piece of foam tape. **(Fig. 62)**

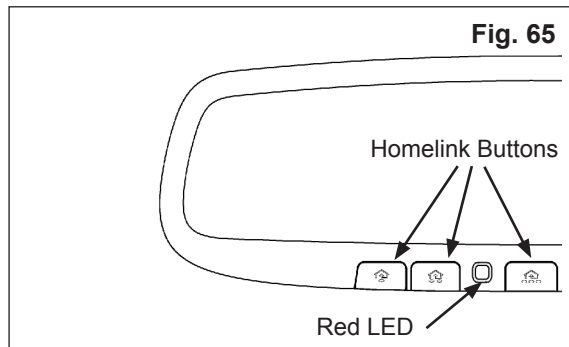
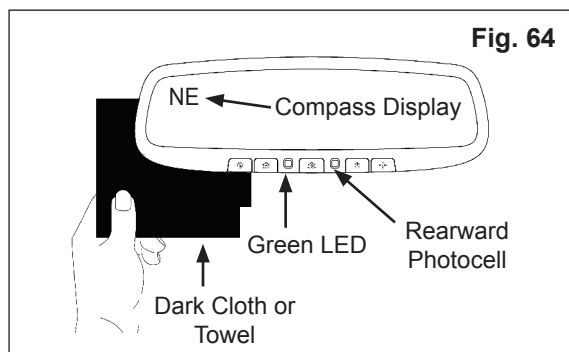
In-mirror RearView Monitor - 370Z Coupe



- g) Bundle excess mirror harness and secure to vehicle body with 1 large piece of foam tape. **(Fig. 63)**

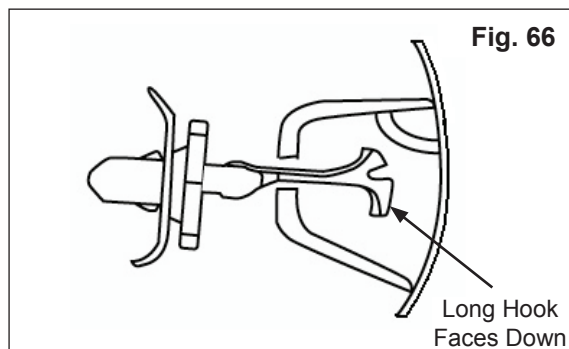
30) Testing

- a) Reconnect the vehicle's negative battery cable (if not already connected).
- b) Tighten negative battery terminal nut to 4.1 Nm.
- c) Turn the ignition switch to ON.
- d) Ensure vehicle is in a failure well lit area.
- e) Check to see that the green LED is illuminated. If it is not, press the "⏻" button to turn it on.
- f) Cover the forward-looking photocell (located to the driver side of the wire harness connection on the back of the mirror) with a dark cloth or towel. After a few seconds, the mirror should begin to darken. Timing will vary with ambient light levels and a flashlight may be shined on the rearward photocell if needed, to accelerate effect.
- g) Remove the cover from the forward-looking photocell and the mirror will begin to clear.
- h) Push the "⏻" button to ensure compass display shows either a direction such as "NE" or a "C", and that it can be turned ON and OFF.
- i) Push each Homelink® button one at a time and verify that the LED indicator to the left of the center switch illuminates with a red LED. **(Fig. 65)**



31) Re-install the LH front pillar finisher

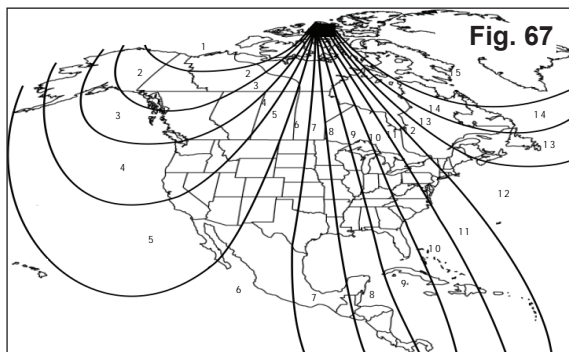
- a) Insert new clip (P/N 76988 JM00A) into the finisher hole ensuring the long hook faces down. **(Fig. 66)**
- b) Insert the base of the finisher.
- c) Insert panel removal tool (A) between the front pillar finisher bottom side and body side and press clips into body.
- d) Push the finisher toward the vehicle body to attach.



In-mirror RearView Monitor - 370Z Coupe

CAUTION

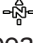
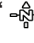
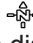
- Use caution when re-installing interior components to avoid damage, scratches, or breaking of mounting clips. Refer to the vehicle specific service manual for more information.
- Trim pieces found to have witness marks or broken clips are not to be reinstalled.



32) Re-install the remaining components, referring to the service manual for the vehicle

33) Clean interior of vehicle.

34) Set Compass Zone

- a) With the display turned "ON", push the " " button for 3 seconds, until a number appears in display (numbers correspond to regional compass zones).
- b) Press and release " " button to scroll through zone numbers.
- c) Release " " button when correct zone number is displayed. Zone number will disappear and display will return to showing either a directional heading or a "C" after 5 seconds of no switch activity.

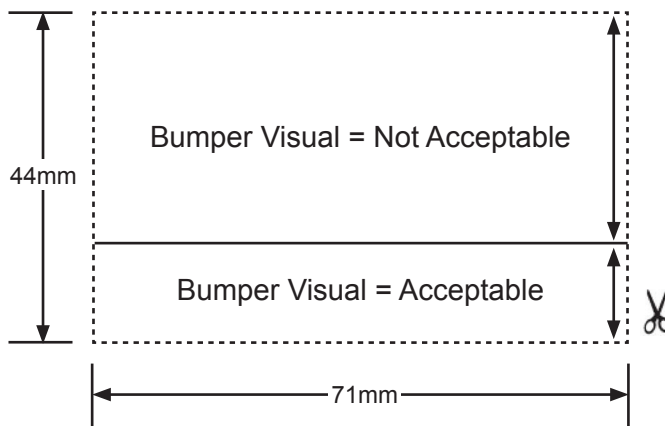
35) Calibrate Compass

- a) Drive vehicle in circles (360°) at 5 mph or less until compass display window shows a direction.

In-mirror RearView Monitor - 370Z Coupe

9. Post Installation Check Sheet

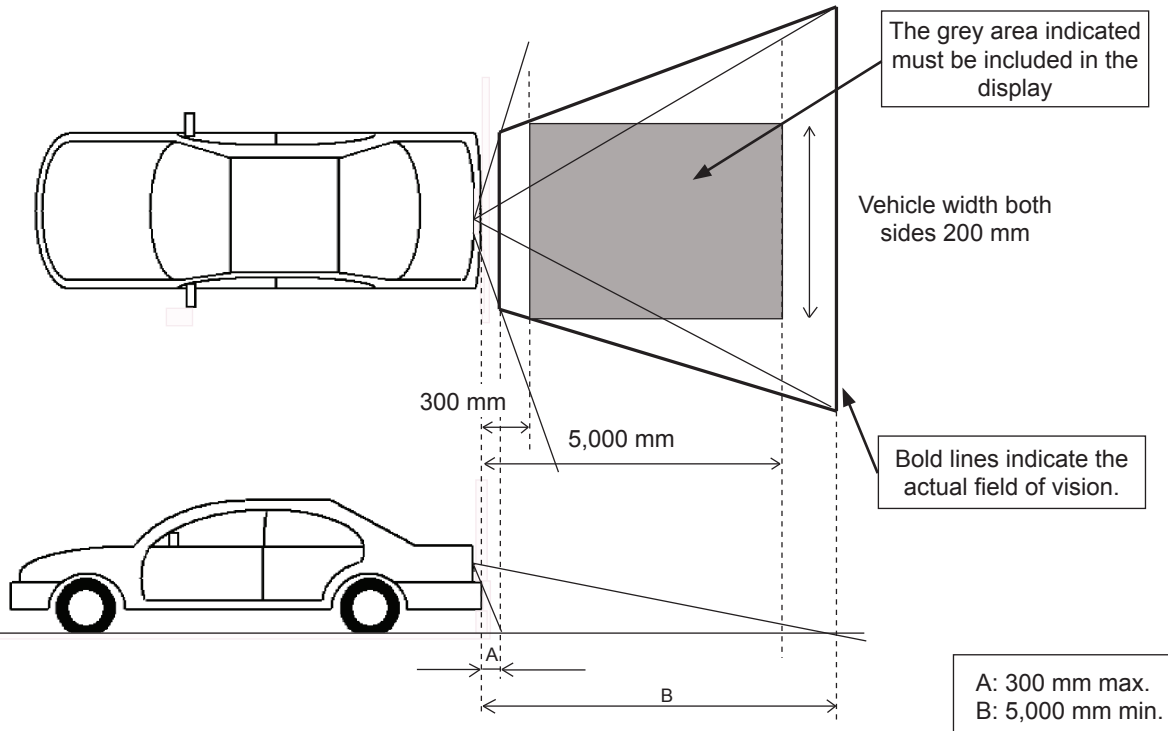
- Ensure all trim panels are fully seated properly.
- Inspect the vehicle interior and exterior for damage.
- Confirm proper operation of vehicle systems.
- Confirm back up lamps.
- Confirm license plate lights.
- Confirm trunk / cargo light.
- Confirm driver side speaker in driver side rear panel (if equipped).
- Place the User Guide in the glove box.
- Reset radio presets to the recorded settings.
- Check the trim for proper flush fit after re-installing the interior components.
- Verify In-mirror RearView Monitor has the correct amount of rear bumper present. Cut out the "Go-No-Go" gauge below and place on mirror display (dimensions of cut out must be measured prior to cutting to ensure accuracy of printer).



Posi-Tap™ is protected by patent # 5,228,875 5,695,369 5,868,589 6,692,313 Jap 2881414 Aus 708700
Tia 103534 Can 2204826 Mex 200626 Korea 477279 China Z197105562.9 & others pending.

In-mirror RearView Monitor - 370Z Coupe

- Verify the camera is operating properly.
- Camera should meet the below performance requirements.



TROUBLESHOOTING GUIDE

FUNCTION	MIRROR HARNESS COLOR	VEHICLE WIRE COLOR	CONNECTION LOCATION (Vehicle)	CONNECTION METHOD
IGNITION	RED	ORANGE	MA01	POSI-TAP
GROUND	BLACK	GROUND BOLT	DRIVER SIDE COWL AREA	RING TERMINAL
REVERSE	GREEN	TAN	DRIVER SIDE REAR TRUNK COMPARTMENT	POSI-TAP

